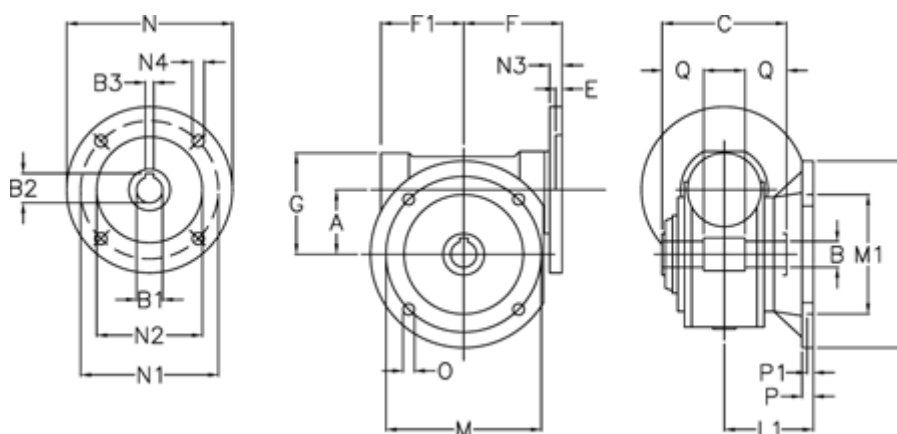


Article number: 390218501555510

Description: Worm gear
VF 185-FC2-15-160B5, without lubrication

Measures



A	= 185.4	F1	= 205	N2	= 250
B	= 60 H7	G	= 267	N3	= 18
B1 E7	= 42	L	= 400	N4	= 18
B2	= 45.3	L1	= 155.5	O	= 22
B3 H9	= 12	M	= 350	P	= 22
C	= 190	M1	= 280	P1	= 13
E	= 4	N	= 350	Q	= 65
F	= 217	N1	= 300		